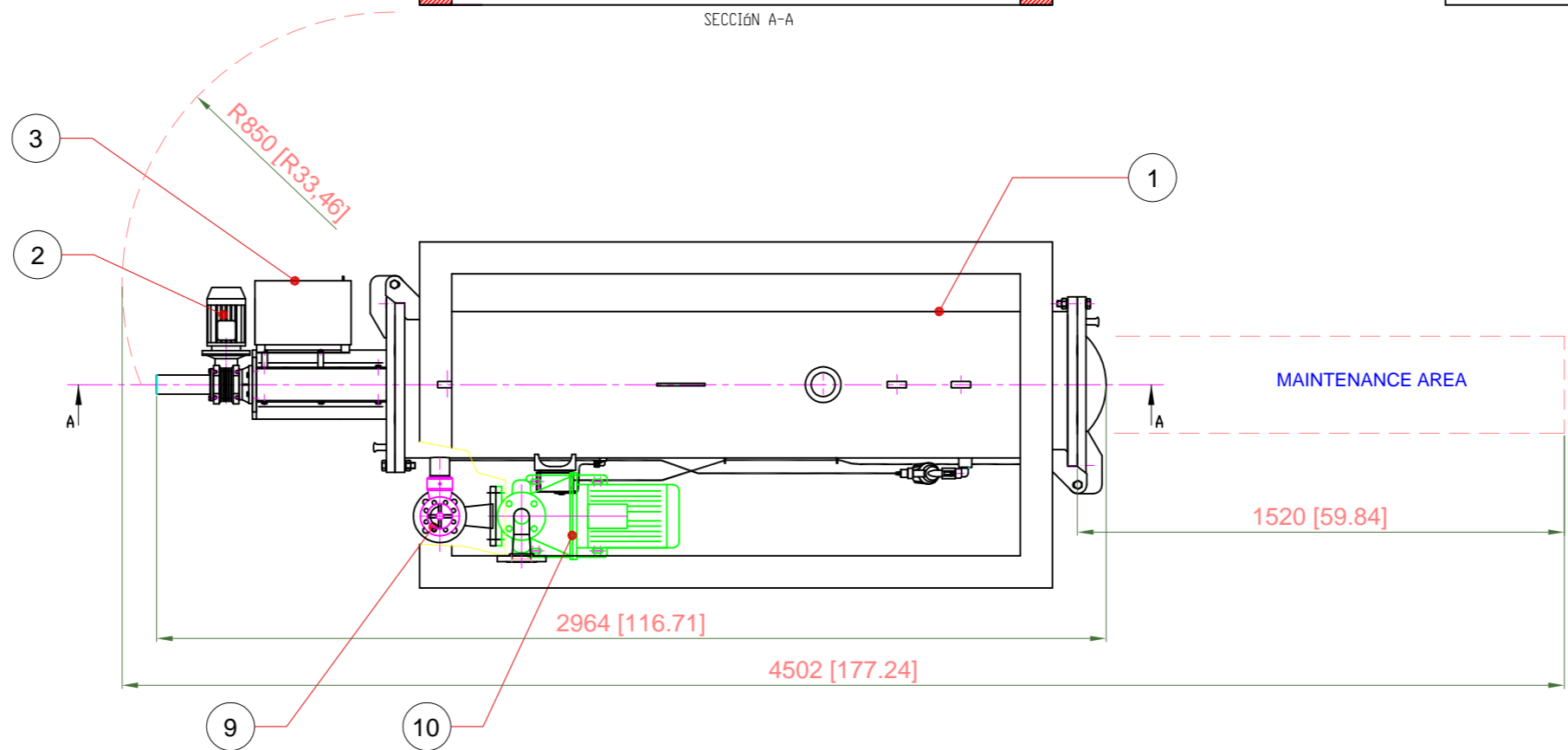
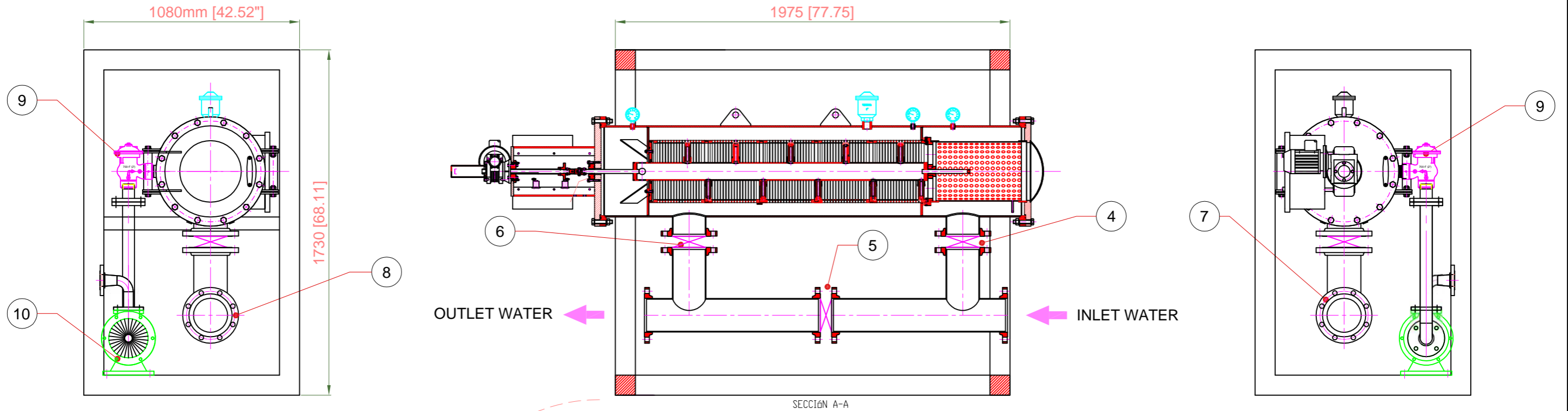


OMICRON 13200(H) with flush line pump



NO.	ITEM
1	SCREEN FILTER OMICRON 13200(H)
2	ELECTRIC MOTOR
3	CONTROL PANEL
4	MANUAL BUTTERFLY VALVE 6"
5	MOTORIZED VALVE 6" - BY-PASS
6	MANUAL BUTTERFLY VALVE 6"
7	RAW WATER INLET 6"
8	FILTERED WATER OUTLET 6"
9	BACKWASH VALVE 2"
10	SUCTION PUMP FOR BACKWASH



ITEM	DESIGNATION	QUANTITY	MATERIAL	OBSERVATIONS
***	FMA-2010 WITH MANIFOLD	1	***	***
1	Modification	Date	Name	Sign.
2	Modification	Date	Name	Sign.
3	Modification	Date	Name	Sign.
4	Modification	Date	Name	Sign.
5	Modification	Date	Name	Sign.
6	Modification	Date	Name	Sign.

CLIENT	OMICRON WATER TECHNOLOGIES	Scale	1:20
REFERENCE	***	Format	A3
DESCRIPTION	OMICRON 13200(H)	Date	13/05/16
Work Order	Nº Drawing	Name	M.A.C.
Projection		Reviewed	
		Approved	

