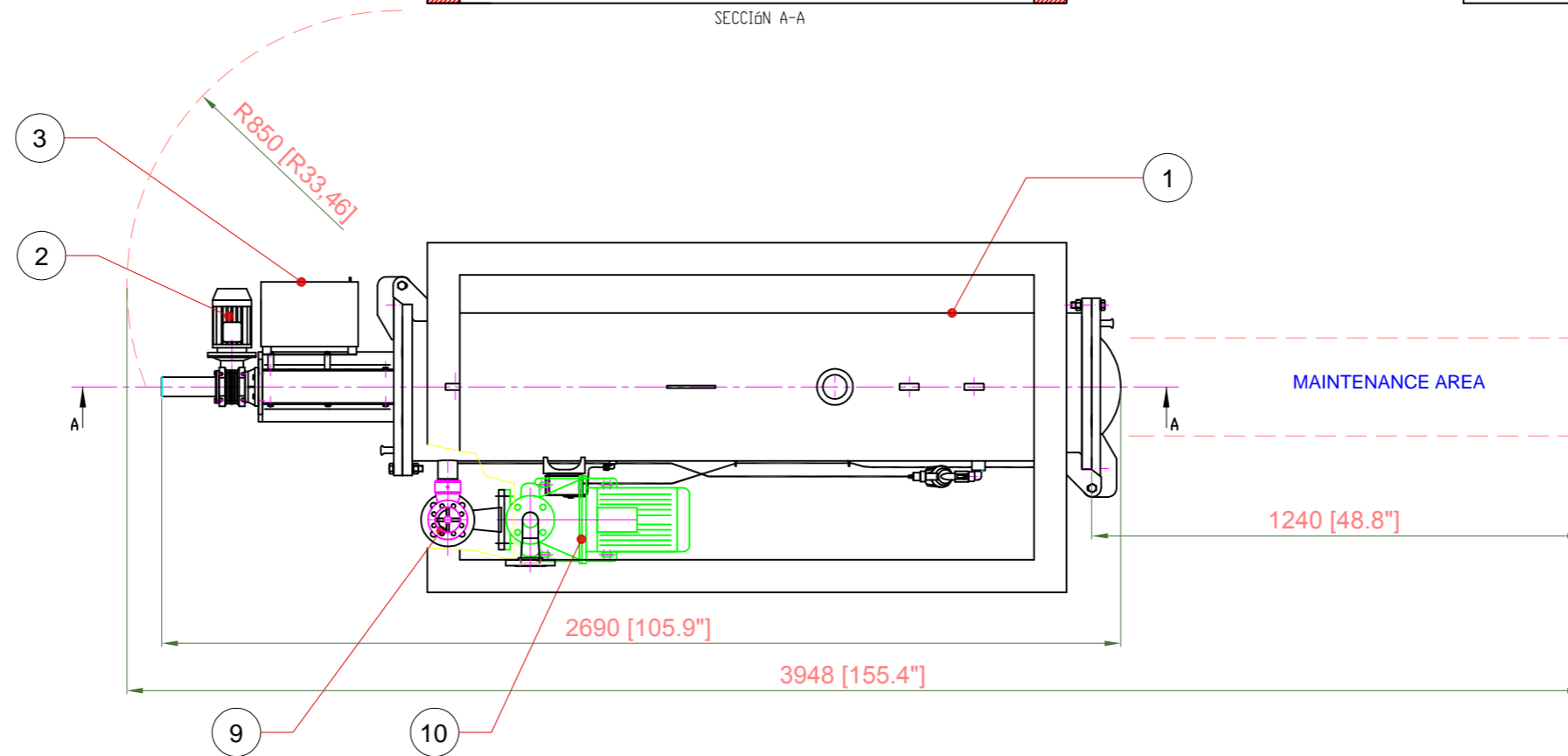
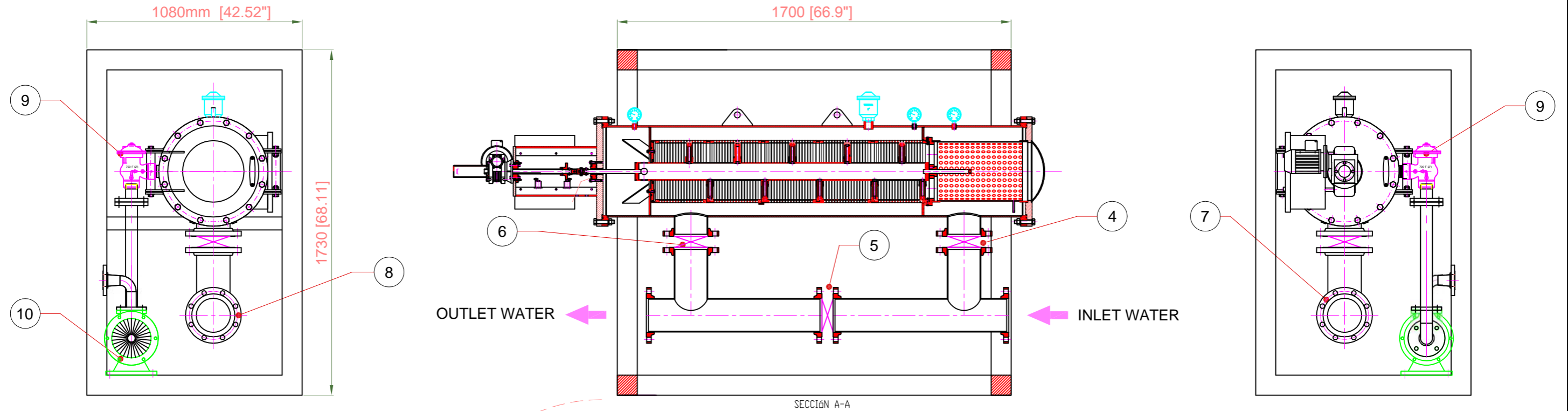


OMICRON 10600(H) with flush line pump



NO.	ITEM
1	SCREEN FILTER OMICRON 10600(H)
2	ELECTRIC MOTOR
3	CONTROL PANEL
4	MANUAL BUTTERFLY VALVE 4"
5	MOTORIZED VALVE 4" - BY-PASS
6	MANUAL BUTTERFLY VALVE 4"
7	RAW WATER INLET 4"
8	FILTERED WATER OUTLET 4"
9	BACKWASH VALVE 2"
10	FLUSH LINE SUCTION PUMP



MARK	MODIFICATION	DATE	NAME	SIGN.	DENOMINATION	QUANTITY	MATERIAL	CLIENT	SCALE	OBSERVATIONS
---	---	---	---	---	OMICRON 10600(H) WITH MANIFOLD	1	---	OMICRON WATER TECHNOLOGIES	1:20	 Polig. Industrial Armentera MONZON (Huesca)
1	---	---	---	---	---	---	---	REFERENCE	Format A3	
2	---	---	---	---	---	---	---	DESCRIPTION	Drawn	Date
3	---	---	---	---	---	---	---	OMICRON 10600(H)	13/05/16	Name
4	---	---	---	---	---	---	---	Work Order	M.A.C.	Signed
5	---	---	---	---	---	---	---	Nº Drawing	Reviewed	
6	---	---	---	---	---	---	---	Projection	Approved	