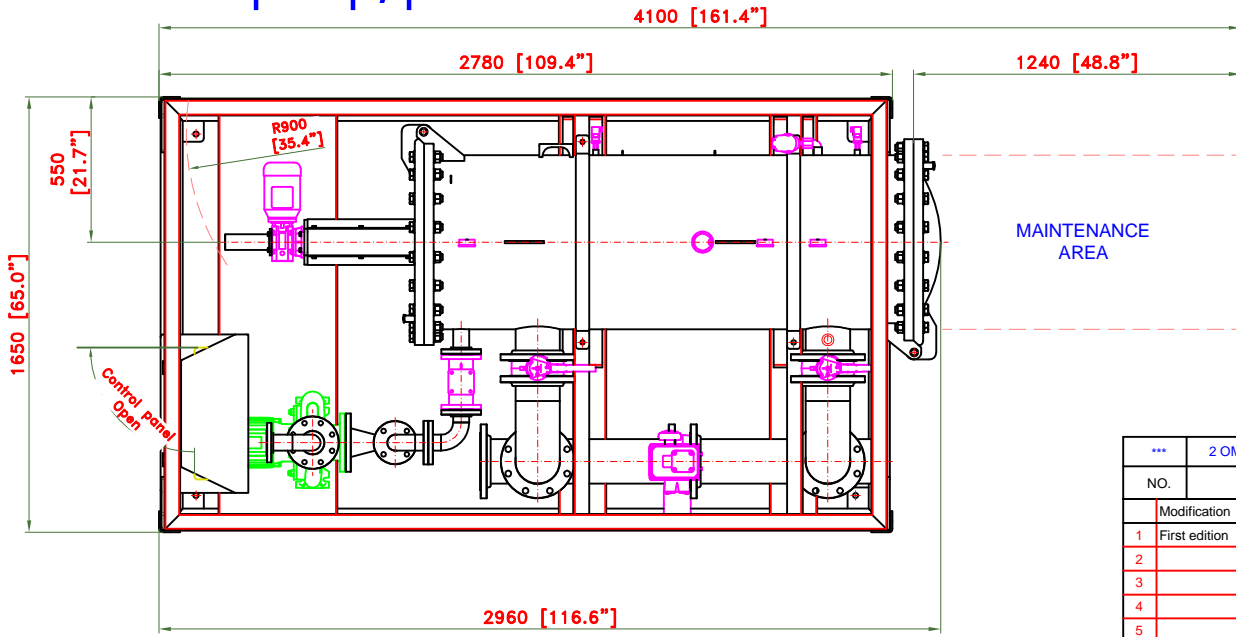


OMICRON TWIN 16500(H) 316L

with flush line pump, panel at end



ITEM	LINE	CONNEXION
A	RAW WATER INLET	6" 150# ANSI
B	FILTERED WATER OUTLET	6" 150# ANSI
C	BACKWASH OUTLET	2" 150# ANSI



ITEM	DESIGNATION	QUANT.	MATERIAL	OBSERVATIONS
1	AUTOMATIC FILTER: OMICRON 16500(H) WITH INLET / OULET NOZZLES 6"-150lbs	2	AISI-316L	
2	ELECTRIC MOTOR	2	---	
3	CONTROL PANEL DIMENSIONS: 24 x 20 x 8"	1	---	
4	PUMP (DIN CONNEXION) DN100 INLET / DN80 OULET	1	---	
5	BUTTERFLY VALVE 6" - 150Lbs	2	IRON CAST	RAW WATER INLET
6	BUTTERFLY VALVE 6" - 150Lbs	1	IRON CAST	BY-PASS
7	BUTTERFLY VALVE 6" - 150Lbs	2	IRON CAST	FILTERED WATER OUTLET
8	BACKWASH VALVE 2" - FLANGED L = 210	2	IRON CAST	BACKWASH OUTLET
9	SKID	1	S-275-JR	

NO.	ITEM	QUANTITY	MATERIAL	OBSERVATIONS
***	2 OMICRON 16500 WITH MANIFOLDS	1	STAINLESS STEEL	***
1	Modification	Date	Name	Sign.
1	First edition	28/05/18	J.P.R.	
2	Modification	Date	Name	Sign.
3	Modification	Date	Name	Sign.
4	Modification	Date	Name	Sign.
5	Modification	Date	Name	Sign.
6	Modification	Date	Name	Sign.

CLIENT	OMICRON WATER TECHNOLOGIES	Scale	1:1
REFERENCE	*****	Format	A3
DESCRIPTION	OMICRON 16500(H)	Date	28/05/18
Work Order	Nº Drawing	Name	J.P.R.
61***	18.61***.00.00	Reviewed	28/05/18
		Approved	J.P.R.

