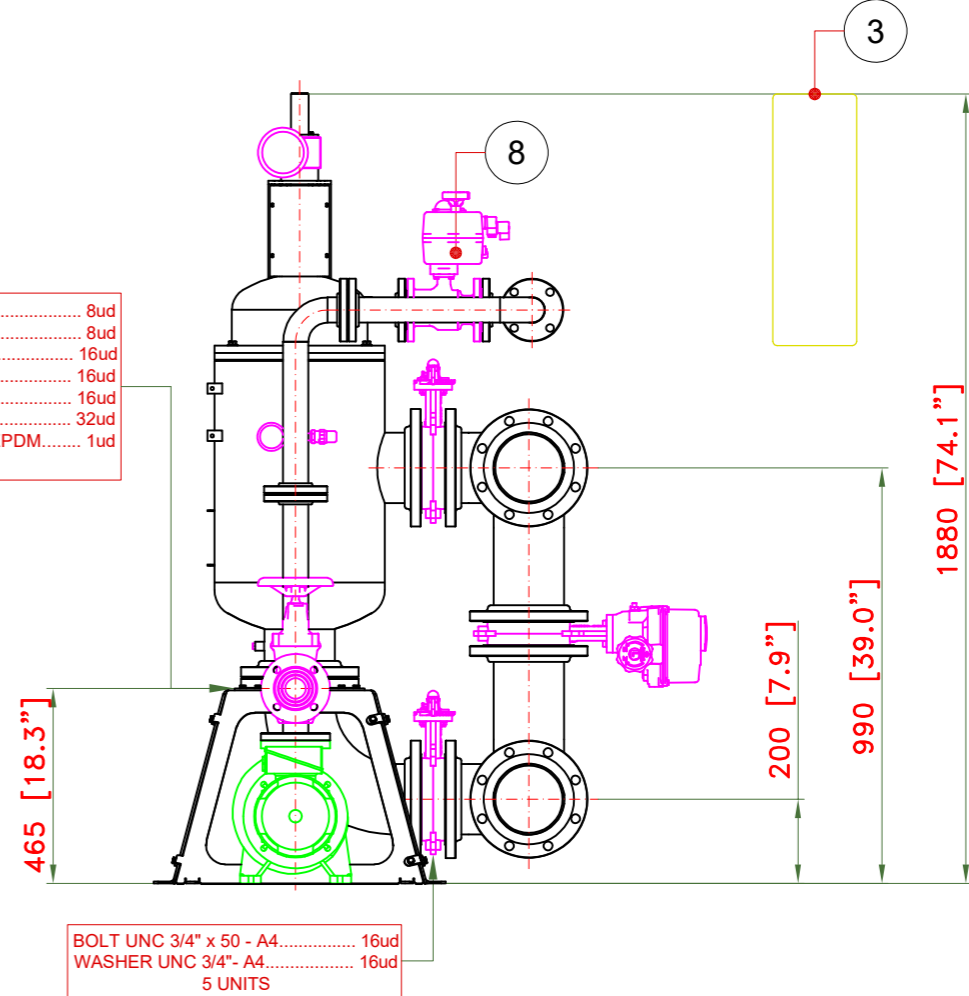


- BOLT M16x80 - A4..... 4ud
- NUT M16 - A4..... 4ud
- WASHER M16 - A4..... 8ud
- GASKET ANSI 2" 150 # EPDM..... 1ud
- 6 UNITS

- BOLT M20x90 - A4..... 8ud
- NUT M20 - A4..... 8ud
- WASHER M20 - A4..... 16ud
- BOLT M8x30 - A4..... 16ud
- NUT M8 - A4..... 16ud
- WASHER M8 - A4..... 32ud
- GASKET ANSI 6" 150 # EPDM..... 1ud
- 2 UNITS

- BOLT M20x90 - A4..... 8ud
- NUT M20 - A4..... 8ud
- WASHER M20 - A4..... 16ud
- GASKET ANSI 6" 150 # EPDM..... 1ud
- 3 UNITS



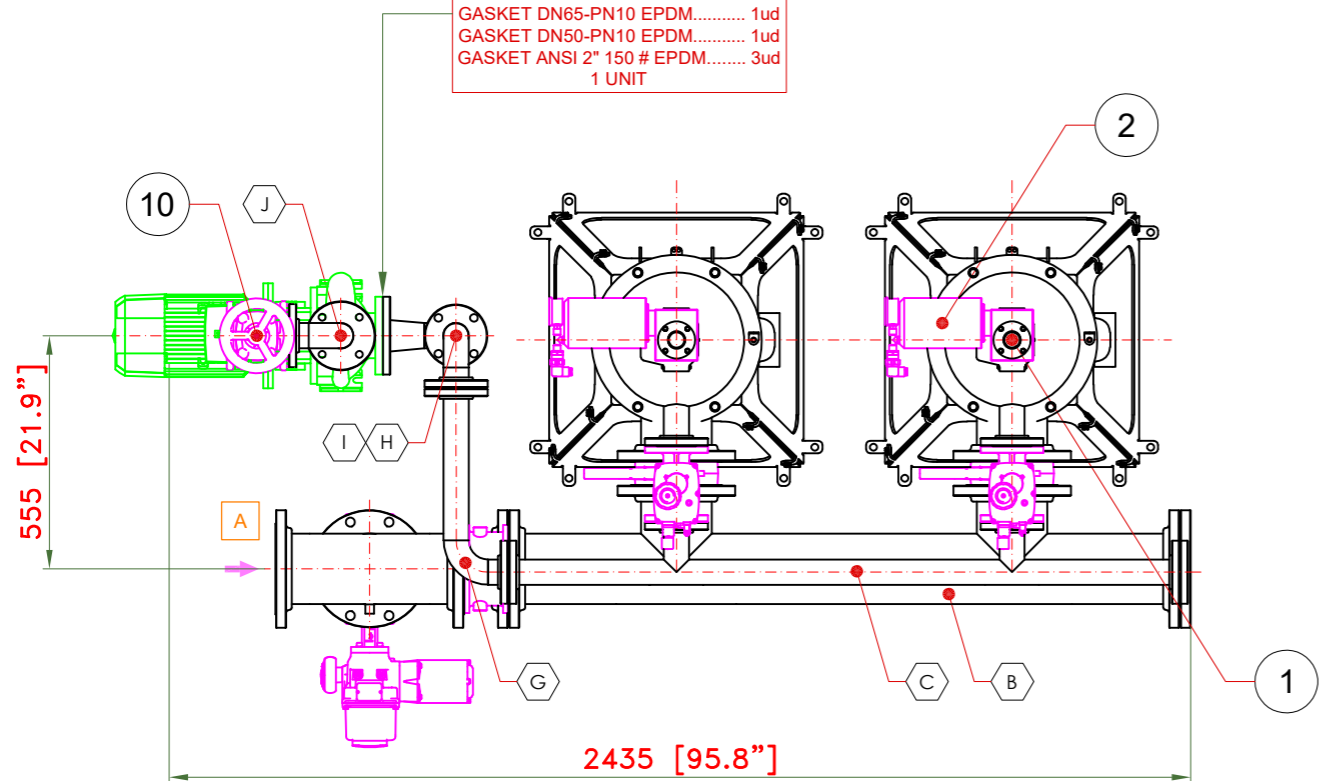
- BOLT UNC 3/4" x 50 - A4..... 16ud
- WASHER UNC 3/4" - A4..... 16ud
- 5 UNITS



ITEM	LINE	CONNEXION
A	RAW WATER INLET	6" 150# ANSI
B	FILTERED WATER OUTLET	6" 150# ANSI
C	BACKWASH OUTLET	2" 150# ANSI

OMICRON TWIN 5300(V)

- BOLT M16x80 - A4..... 16ud
- NUT M16 - A4..... 16ud
- WASHER M16 - A4..... 32ud
- GASKET DN65-PN10 EPDM..... 1ud
- GASKET DN50-PN10 EPDM..... 1ud
- GASKET ANSI 2" 150 # EPDM..... 3ud
- 1 UNIT



ITEM	DESIGNATION	QUANT.	MATERIAL	OBSERVATIONS
1	AUTOMATIC FILTER: FMA-1006-E WITH INLET / OULET NOZZLES 6"-150lbs	2	COATED STEEL	
2	ELECTRIC MOTOR	2	...	
3	CONTROL PANEL DIMENSIONS: 600 x 500 x 200	1	...	ON THE WALL
4	PUMP DN65 INLET / DN50 OULET	1	...	IF REQUIRED
5	LUG BUTTERFLY VALVE 6" - 150lbs	2	IRON CAST AISI316L DISC	RAW WATER INLET
6	LUG BUTTERFLY VALVE 6" - 150lbs	1	IRON CAST AISI316L DISC	BY-PASS
7	LUG BUTTERFLY VALVE 6" - 150lbs	2	IRON CAST AISI316L DISC	FILTERED WATER OUTLET
8	BACKWASH BALL VALVE 2" - FLANGED	2	AISI316	BACKWASH OUTLET
9	WAFER CHECK VALVE 6" - 150 Lbs L = 106	1	AISI316	
10	GATE VALVE 2" - FLANGED	1	...	



REF.	ITEM	QUANTITY	MATERIAL	WEIGHT	OBSERVATIONS
***	2 OMICRON 5300 WITH MANIFOLDS	1	***	***	***
Rev.	Modification	Date	Name	Signed	CLIENT: OMICRON WATER TECHNOLOGIES
A	Fisrt edition	28/04/22	J.P.R.	<i>J.P.R.</i>	Scale: 1:18
B					REFERENCE: ***
C					Format: A3
D					DESCRIPTION: 2 OMICRON 5300(V)
E					WORK ORDER 74345
F					N° DRAWING 22.74345.00.00
					Projection
					Date 24/04/22
					Name J.P.R.
					Signed <i>J.P.R.</i>
					Date 24/04/22
					Name J.P.R.
					Signed <i>J.P.R.</i>

